



Alpha Wireless Automation

Centeron

Wireless Remote Tank Level Monitoring and Management System

Tel: 800-249-4249 or 310-600-7550 Fax: 310-385-7811

www.RemoteTank.com

Wireless RF-Probe Level Monitor

Centeron monitors accurately measure tank content levels and send data to the controller using robust DSSS wireless technology. The RF-Probe Level Monitor includes sensing and FCC license-free RF telemetry capabilities. Low-cost installation and no maintenance.

- Self-calibration, and automatic dielectric compensation
- Vessel geometry independence
- For gasoline, diesel fuel and many other low viscosity fluids
- Reports tank level and temperature

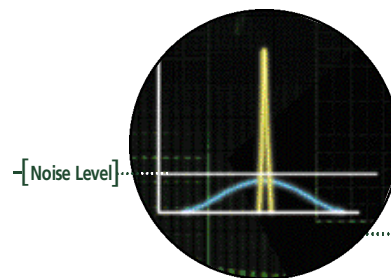
**[RF-Probe Level Monitor:
Absolutely No Wires]**



Wireless RF-Probe Monitor Specifications:

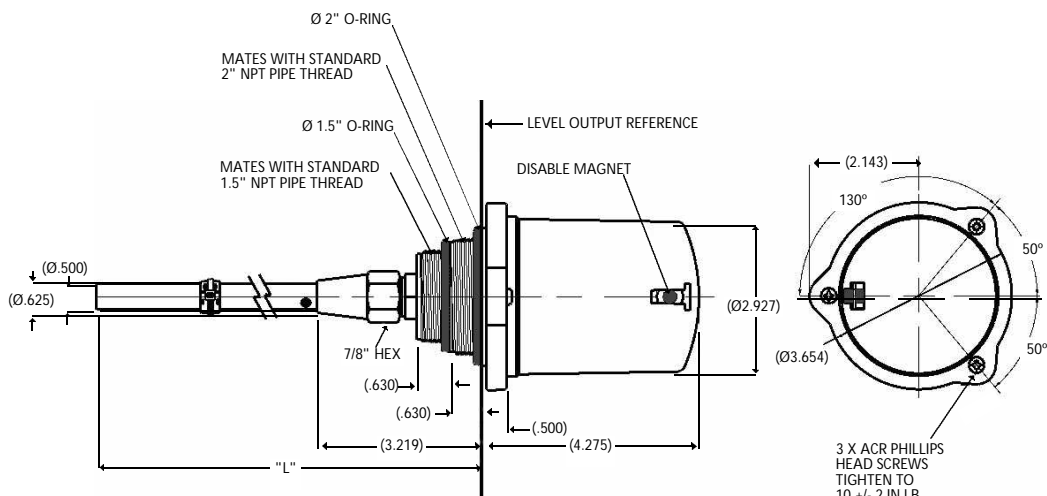
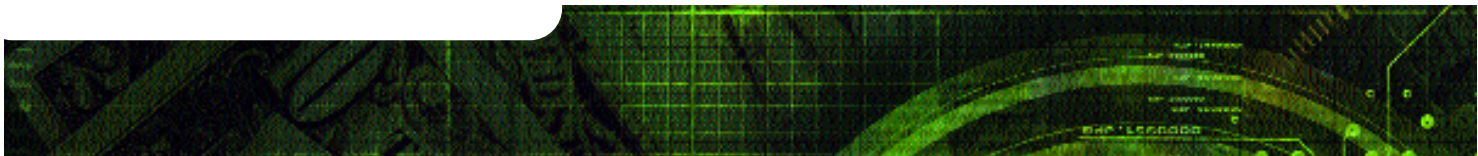
- Temperature range: -40°C to +85°C
- Environmentally sealed — designed to NEMA 4/IP-65
- Intrinsically safe for use in Class I, Division I, Group D areas
- +16dBm RF power output
- Up to five year battery life, based on programmable update rate
- Self-calibrating — automatically adjusts for changes in dielectric, six standard lengths available
- Probe lengths from 36 in. to 10 ft.
- Unparalleled resolution
- Self-diagnostics (including battery life monitor)
- Fill tube/monitor access adapter option
- Accuracy: 0.5% of full scale
- Optional water-bottom detection features
- Easy installation

Exceptional DSSS technology is superior to narrow band systems, resulting in more reliable communications. So advanced, it's already the recipient of 12 patents, with additional pending.



[● **Narrow Band Waveform** **]**
● **Spread Waveform**

[*Get the facts from the engineering experts. Call 1-800-249-4249 and speak directly to a AWA applications engineer.* **]**



DIMENSIONS ARE IN INCHES

Wireless RF-Probe Monitor														
								Estimated Battery Life						
0	0	4	4 Minute transmit interval ⇔				1 Month							
0	3	0	30 Minute transmit interval ⇔				1 Year							
0	6	0	60 Minute transmit interval ⇔				2 Year							
1	2	0	120 Minute transmit interval ⇔				3 Year							
2	4	0	240 Minute transmit interval ⇔				5 Year							
			0	3	6	36" Probe								
			0	4	6	46" Probe								
			0	6	2	62" Probe								
			0	7	0	70" Probe								
			0	9	4	94" Probe								
			1	2	0	120" Probe								
								W	Water-Bottom Detection On					
0	No Water-Bottom Detection													
C	M	<input type="checkbox"/>	<input type="checkbox"/>	<input type="checkbox"/>	E	I	<input type="checkbox"/>	<input type="checkbox"/>	<input type="checkbox"/>	F	9	<input type="checkbox"/>	0	0

ETL Marked Intrinsically Safe apparatus for use in Class I, Division I, Group D applications, conforming to ANSI/UL 913-1988 Standard.

FCC Part 15 Registered: NU9TX0625-0200

This device is distributed by Alpha Wireless Automation

This device complies with Part 15 of the FCC rules. Operation is subject to the following two conditions: (1) This device may not cause harmful interference and (2) This device must accept any interference received, including interference that may cause undesired operation.

Alpha Wireless Automation
 1122 South Robertson Blvd. Suite 8
 Los Angeles, CA 90035
www.RemoteTank.com
 Tel: 800-249-4249 or 310-600-7550 Fax: 310-385-7811